

Field Transmitter Battery Packs


 841
 Battery
 Pack

 902
 Battery
 Pack

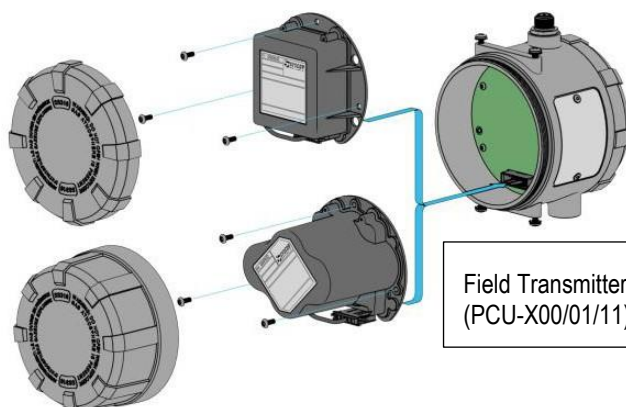
Description

Syscor's Intrinsically Safe 841 and 902 Battery Packs are designed for Zone 0 deployment with Syscor's Field Transmitter products (Sensor Hub (X01), Inclinator (X11), and Repeater (X00)).

High energy density lithium thionyl chloride (Li-SOCl₂) cells with a low self-discharge rate provide years of reliable and predictable power.

The battery packs are interchangeable, lightweight, and field replaceable. The robust casing with internal potting endures harsh transport and extreme environmental conditions.

Battery level status and remaining life can be communicated through the Field Transmitter to the operator's interface.


 Field Transmitters
 (PCU-X00/01/11)

Specifications

Battery Type	Lithium thionyl chloride (Li-SOCl ₂)
Capacity	841: 2-cell, 7.2V 19.0Ah 136.8Wh 902: 4-cell, 7.2V 38.0Ah 273.6Wh
Lifespan	10+ years depending on update rate
Enclosure	Fully potted, ABS plastic exterior
Connection	5 pin female socket with polarizing key
Approximate Dimensions	Base of battery measured for length and width. Height includes base to labeled top. <ul style="list-style-type: none"> 841: L-118mm (4.64in.), W-102mm (4.01in.), H-385mm (1.51in.) 902: L-107mm (4.21in.), W-90mm (3.54in.), H-80mm (3.14in.)
Weight	841: 300g [10.6oz.] 902: 600g [21.2oz.]
Usage	For use with Syscor's Field Transmitters only (PCU-X00/01/11)
Operating Temp.	-40°C to +60°C [-40°F to +140°F]

Learn More

PCU-X01 Sensor Hub	https://www.syscor.com/downloads/PCU01DDS_WiHART-Sensor_Hub.pdf
PCU-X11 Inclinator	https://www.syscor.com/downloads/PCU01DDS_WiHART-Inclinator.pdf
PCU-X00 Repeater	http://www.syscor.com/downloads/PCU01DDS_WiHART-Repeater.pdf
Lithium Thionyl Chloride (LiSOCl ₂) Batteries	https://syscor.com/technology/batteries
Field Transmitter Battery Packs	https://syscor.com/downloads/BATTERY01DDS_FT Batteries.pdf

Product Certifications

USA	FCC: 2AAZE-000697 Intrinsic Safety: CSA 19CA70174889X Class I, Division 1, Groups C and D, T4 Class I, Zone 0 AEx ia IIB T4 Ga
Canada	IC: 11413A-000697 Intrinsic Safety: CSA 19CA70174889X Class I, Division 1, Groups C and D, T4 Ex ia IIB T4 Ga
Europe	Intrinsic Safety: SIRA 18ATEX2249X Ex ia IIB T4 Ga CE ₂₈₁₃
IECEX	Intrinsic Safety: IECEX CSA 18.0031X Ex ia IIB T4 Ga