

Universal Mounting Bracket

Description

Syscor's Universal Mounting Bracket attaches Syscor's PCU-X00/01/11 field transmitters to struts, tubing, and floating roof ladders.

The bracket's hole pattern is designed for various orientations and applications.

Two bracket magnets enable installation on flat steel surfaces.

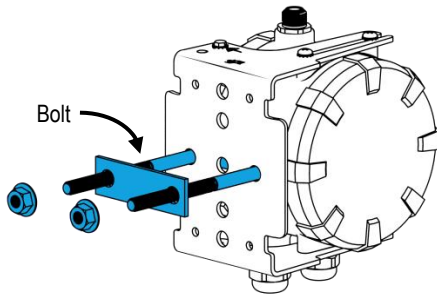


Figure 1. Universal Mounting Bracket with a u-bolt for mounting on a pole or strut.

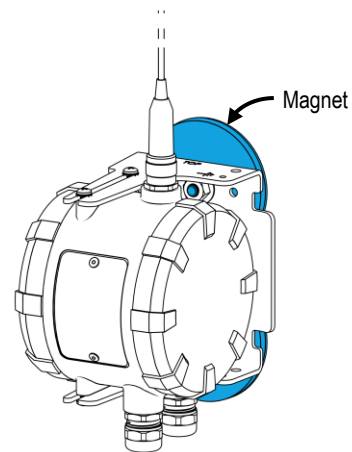
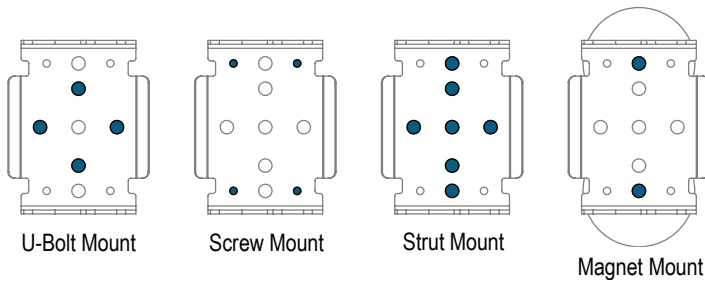
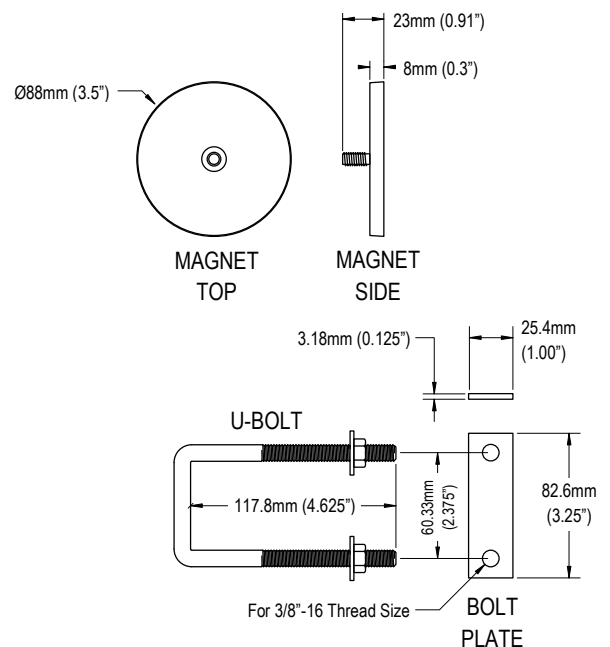
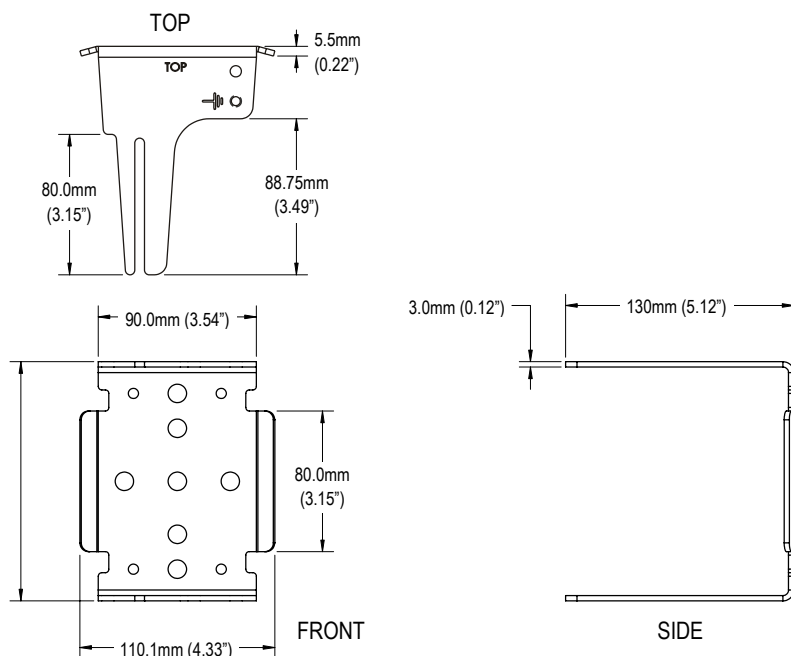


Figure 2. Two magnets attached to the Universal Mounting Bracket



Specifications

Bracket

| | |
|----------|------------------------------|
| Material | SAE 304 Stainless Steel 11GA |
|----------|------------------------------|

Industrial Rare Earth Magnet x3

| | |
|------|---|
| Size | Ø 88mm (3.5in.) x 23mm (0.91in.) in height (8mm (0.3in.) without shaft) |
|------|---|

| | |
|----------|---|
| Material | Q235 Steel, Stainless Steel 304SS shaft |
|----------|---|

| | |
|---------|--|
| Coating | Non-flammable Nitrile Butadiene Rubber (NBR) with resistance to petroleum and UV light |
|---------|--|

| | |
|---------------|---------------------------|
| Pull Strength | 45kg (99.2lbs) per magnet |
|---------------|---------------------------|

Mounting Hardware Options

| | |
|---------|---|
| U-bolts | 2-3/8in. center-to-center spacing, 3/8in. threads |
|---------|---|

| | |
|---------------|--|
| Strut Channel | U-bolt or any hardware that uses 3/8in. dia. bolts |
|---------------|--|

| | |
|-------------|---|
| Screw Mount | Bracket holes are designed for #12 screws Any 3/16in., #10, or #12 screws with washers under the heads are suitable |
|-------------|---|

| | |
|------------|---|
| Cable Ties | 3/8in. or 10mm stainless steel locking cable ties |
|------------|---|

Learn More

| | |
|--------------------|---|
| PCU-X01 Sensor Hub | syscor.com/downloads/syscor_spec-sheet_pcux01-wirelesshart-sensorhub_en_80175.pdf |
|--------------------|---|

| | |
|----------------------|---|
| PCU-X11 Inclinometer | syscor.com/downloads/syscor_spec-sheet_pcux11-wirelesshart-inclinometer_en_80177.pdf |
|----------------------|---|

| | |
|------------------|---|
| PCU-X00 Repeater | syscor.com/downloads/syscor_spec-sheet_pcux00-wirelesshart-repeater_en_80173.pdf |
|------------------|---|