

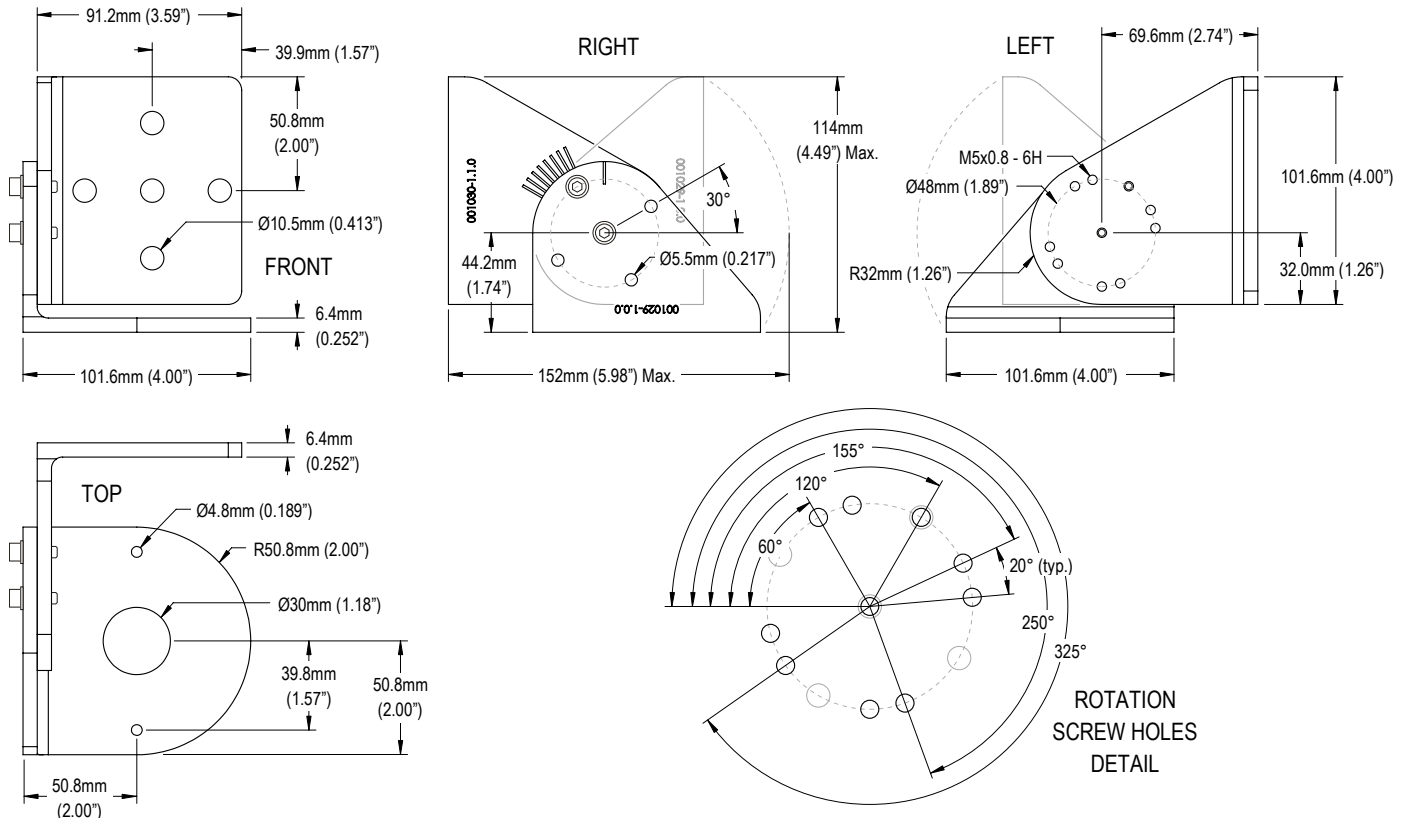
Dome Antenna Articulating Bracket

Description

Syscor's Dome Antenna Articulating Bracket attaches Syscor's model 000916 RHCP Dome Patch Antenna to struts, tubing, and floating roof ladders.

The bracket's hole pattern is designed for various orientations and applications.

The bracket rotates to enable aiming the antenna for optimal signal reception.



Specifications

Bracket	
Material	Aluminum 6061-T6

Mounting Hardware Options	
U-bolts	2-3/8in. center-to-center spacing, 3/8in. threads
Strut Channel	U-bolt or any hardware that uses 3/8in. dia. bolts
Cable Ties	3/8in. or 10mm stainless steel locking cable ties

Note: Use corrosion resistant stainless steel hardware

Learn More

RHCP Dome Patch Antenna	syscor.com/downloads/syscor_spec-sheet_rhcp-antenna_en_80153.pdf
Antenna Technology	syscor.com/technology/antennas