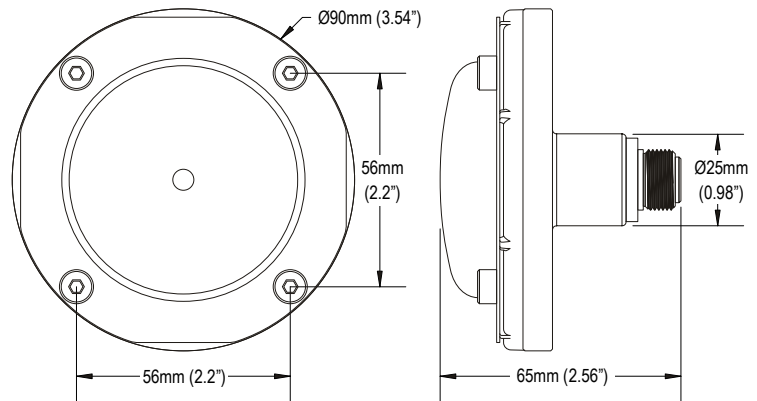


2.4GHz 4.9dBi RH Circular Polarized (RHCP) Antenna (N-Type Female)

Part#: 000916



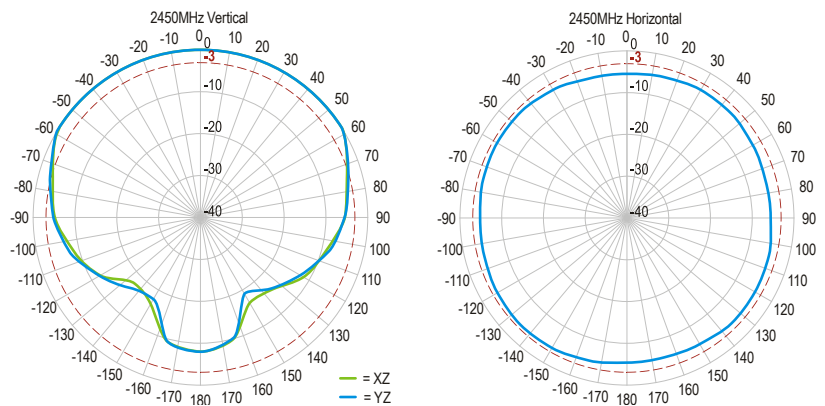
Description

Syscor's 2.4GHz RCHP Antenna is ideal for devices mounted on the floating roof of a storage tank. This antenna allows communication between devices within approximately 110m or 350ft of each other.

Right Hand Circular Polarization (RHCP) helps with multipath issues in applications where metal obstructions are prevalent. To fully benefit from this capability, both the transmitter and the receiver should be RHCP.

This antenna connects to a field device's Type-N female antenna port via coaxial extension cable.

Radiation Pattern



Specifications

Functional Specifications

Frequency Range	2.4-2.5GHz
Gain	4.9dBi
Antenna Efficiency	≥60%
Vertical Beamwidth	147±1°
Horizontal Beamwidth	Omnidirectional/Hemispherical
Polarization	Right Hand Circular
Axial Ratio	~4 @ Zenith
Impedance	50Ω

Physical Specifications

Antenna Form	Patch
Overall Dimensions	Ø90x65mm (Ø3.54x2.56in)
Weight	570g (20oz) fully assembled
Connection	N-type Female

Performance Specifications

Operating Temp.	-40°C to +85°C [-40°F to +185°F]
Operating Humidity	<95%

Learn More

Antenna Technology	syscor.com/technology/antennas
PCU-X00 Repeater	syscor.com/downloads/syscor_spec-sheet_pcux00-wirelesshart-repeater_en_80173.pdf
PCU-X01 Sensor Hub	syscor.com/downloads/syscor_spec-sheet_pcux01-wirelesshart-sensorhub_en_80175.pdf
PCU-X11 Inclinometer	syscor.com/downloads/syscor_spec-sheet_pcux11-wirelesshart-inclinometer_en_80177.pdf