

## SPECIFICATION

- Part No. : **OMB.242.08F21**
- Product Name : **Barracuda - Omni-Directional Outdoor Antenna  
2.4 - 2.5 GHz 8dBi**
- Dimensions : Length 523mm
- Features : Excellent Radiation Patterns  
Lightweight  
Installed for vertical polarization  
Includes tilt and swivel mast mount  
**RoHS Compliant**



# 1. Introduction

This antenna is professionally designed with the highest industrial quality. The antenna base is aluminum and resists rust. The products have good water resistance.

Great care has been taken in the manufacture and assembly of the internal copper elements so they can bear a high input power.

## Applications

- 2.4 - 2.5 GHz ISM Band
- IEEE 802.11b, 802.11g, 802.11n Wireless LAN
- Directional and multipoint applications
- Bluetooth
- Public Wireless Hotspot
- Wi-Fi, RFID
- Wireless Video Systems

# 2. Antenna Performance

## 2.1 Electrical Specifications

1	Communication System	ISM
2	Frequency Band	2400 MHz - 2500 MHz
3	Bandwidth	100MHz
4	Gain	8.0 dBi
5	Impedance	50 Ohm
6	Polarization	Vertical
7	Max Power Handling	50W
8	VSWR	≤ 1.3
9	Vertical Beamwidth	12°
10	Horizontal Beamwidth	360°

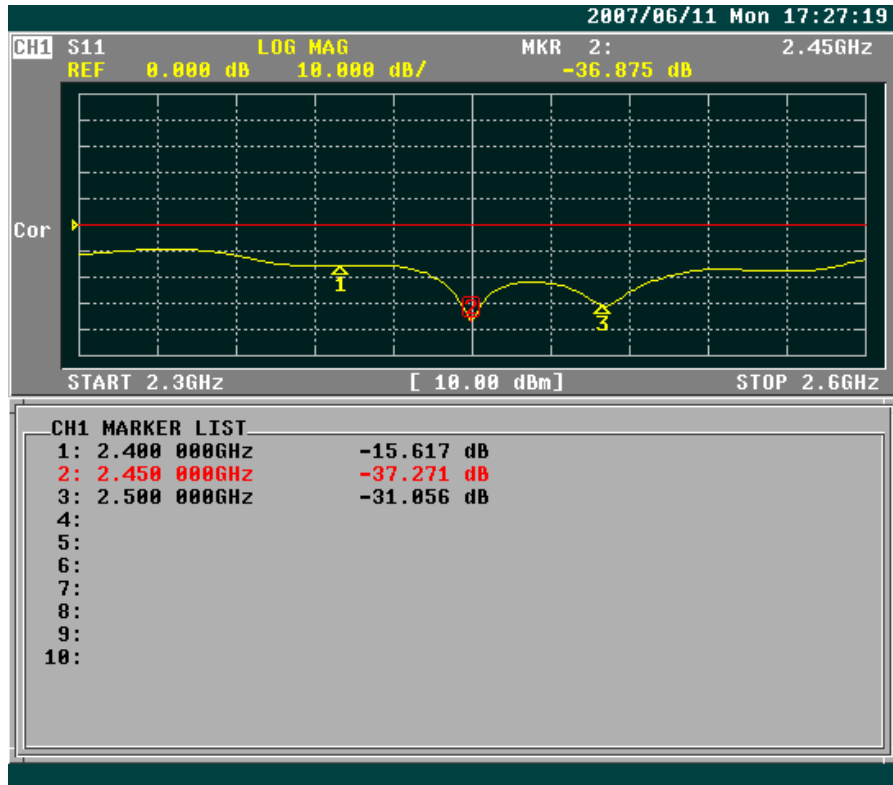
## 2.2 Mechanical Specifications

1	Connector	1 x N Type Female
2	Connector Location	Bottom
3	Dimensions (L*W*D)	Length 523mm, Diameter 70mm
4	Radome Diameter	24mm
5	Weight (& Mounting Bracket max)	380g
6	Internal Material	Copper
7	Radome Material	White Fiberglass
6	Mounting Options	U-Bolt(Stainless steel)
	Mounting	32-45mm Stainless Steel U-Type Screw

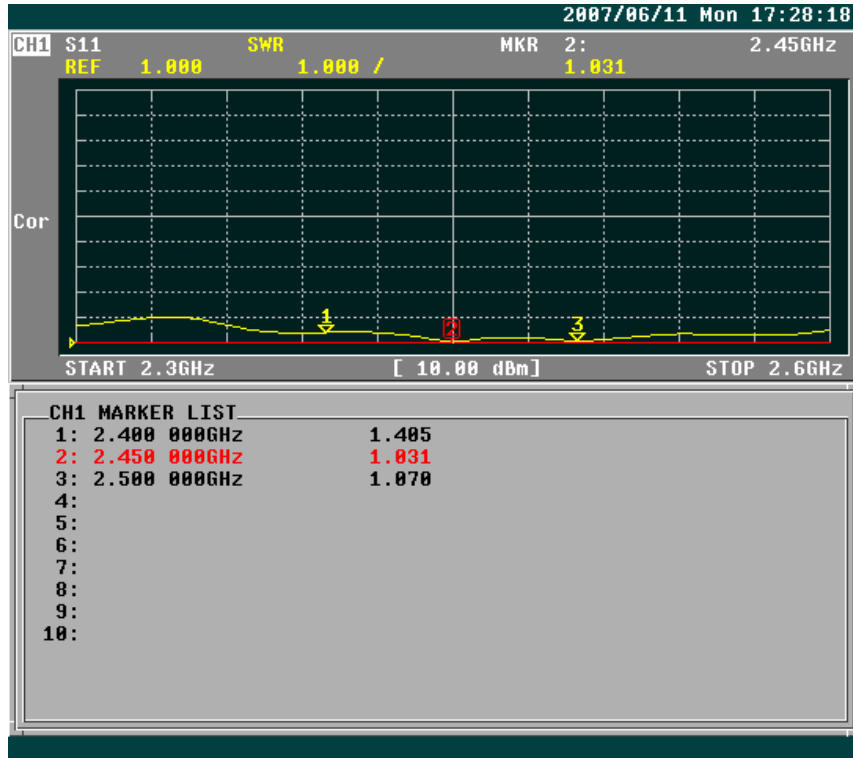
## 2.3 Environmental Ratings

1	Temperature	-40°C to +80°C
2	Wind Survival	>150mph

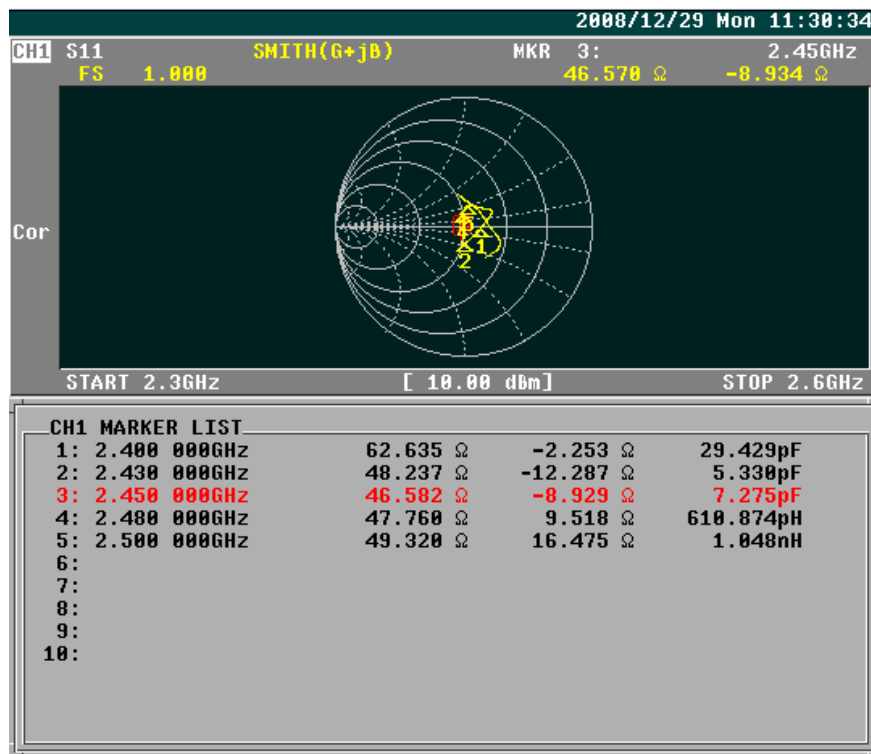
### 3. Return Loss



## 4. VSWR

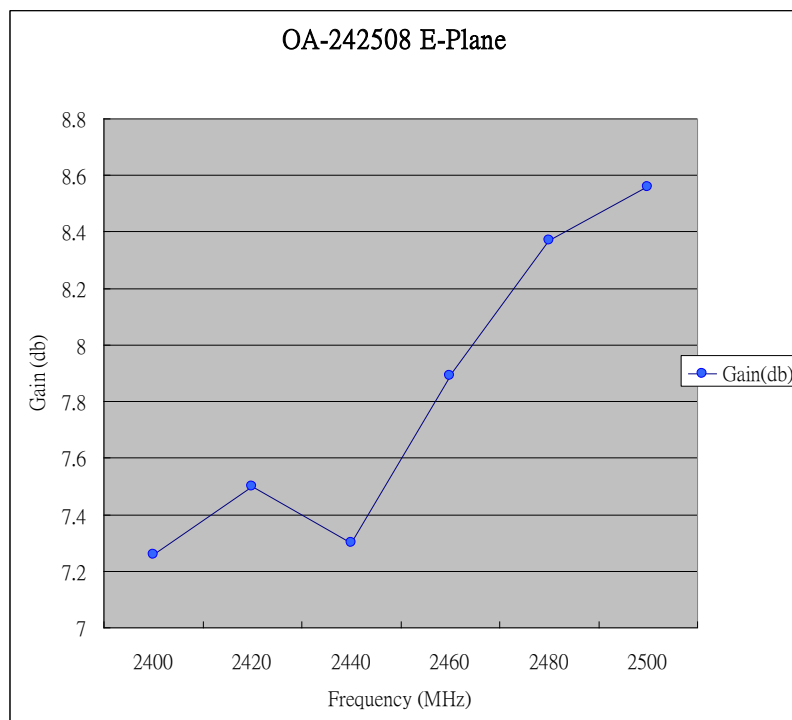
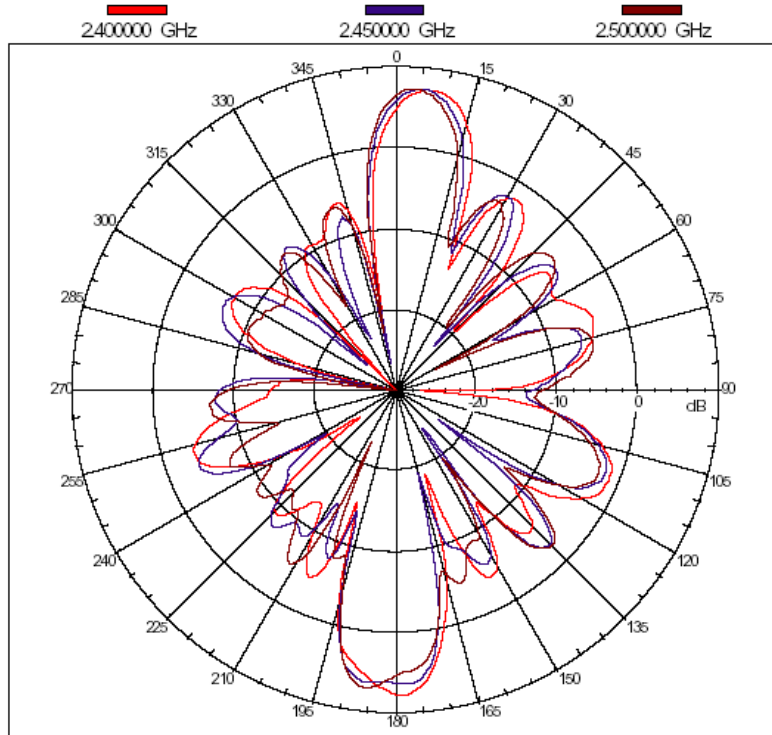


## 5. Smith Chart

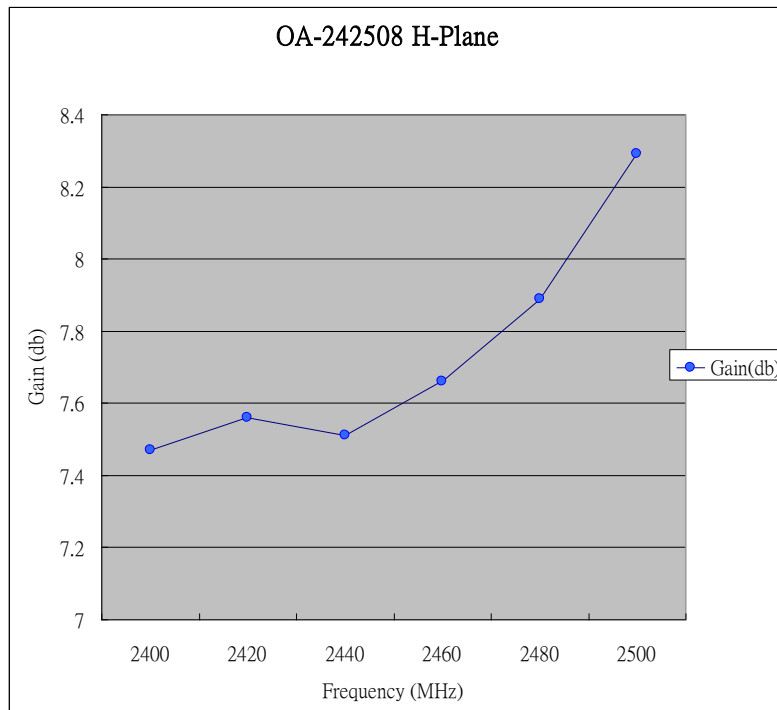
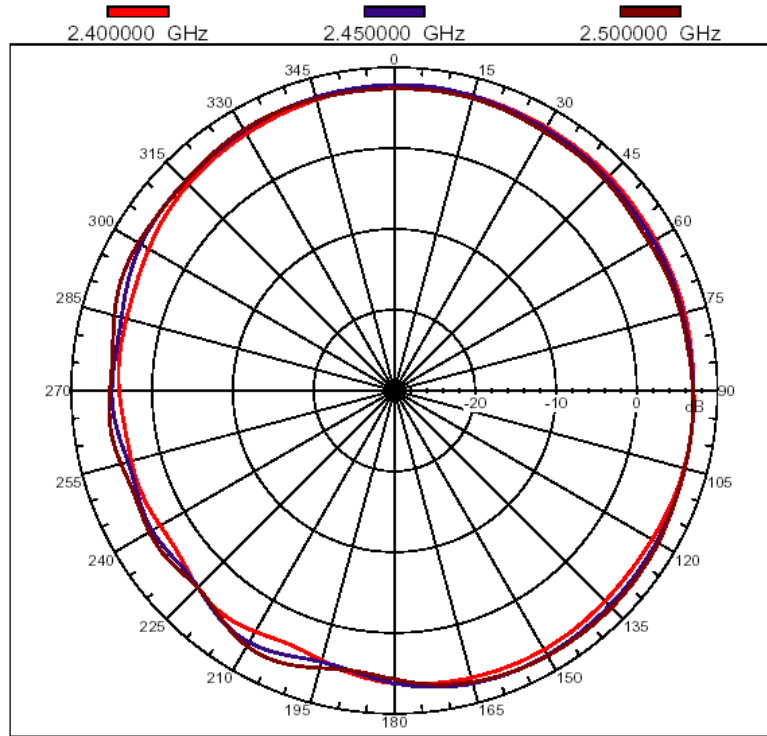


# 6. Radiation Patterns

Vertical  
 E-plane co-pol ----- 3-dB beam-with=15 Deg



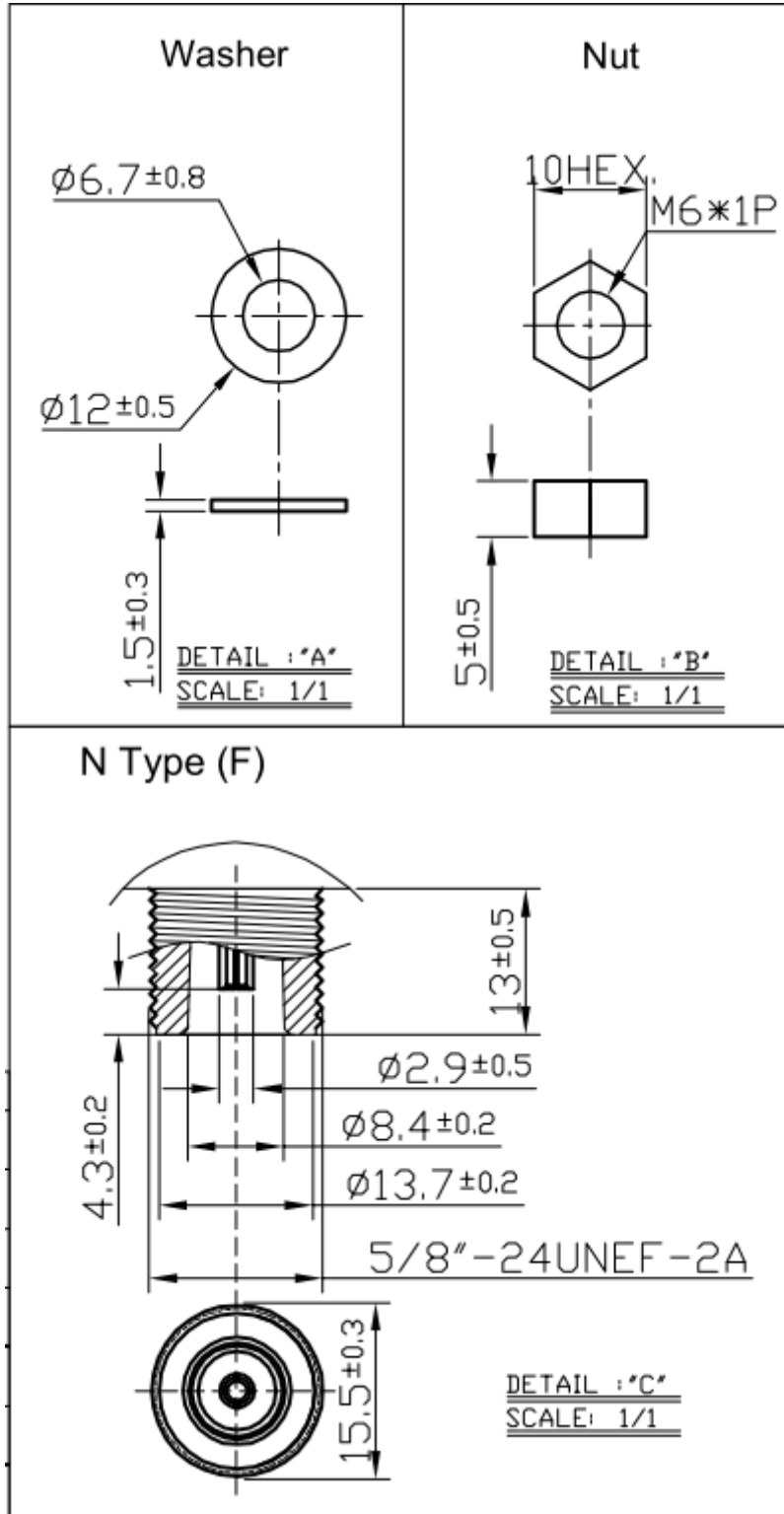
Horizontal  
H-plane co-pol ----- 3-dB beam-with=360 Deg



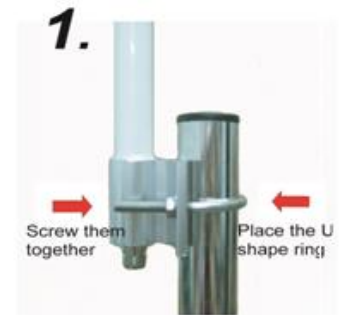
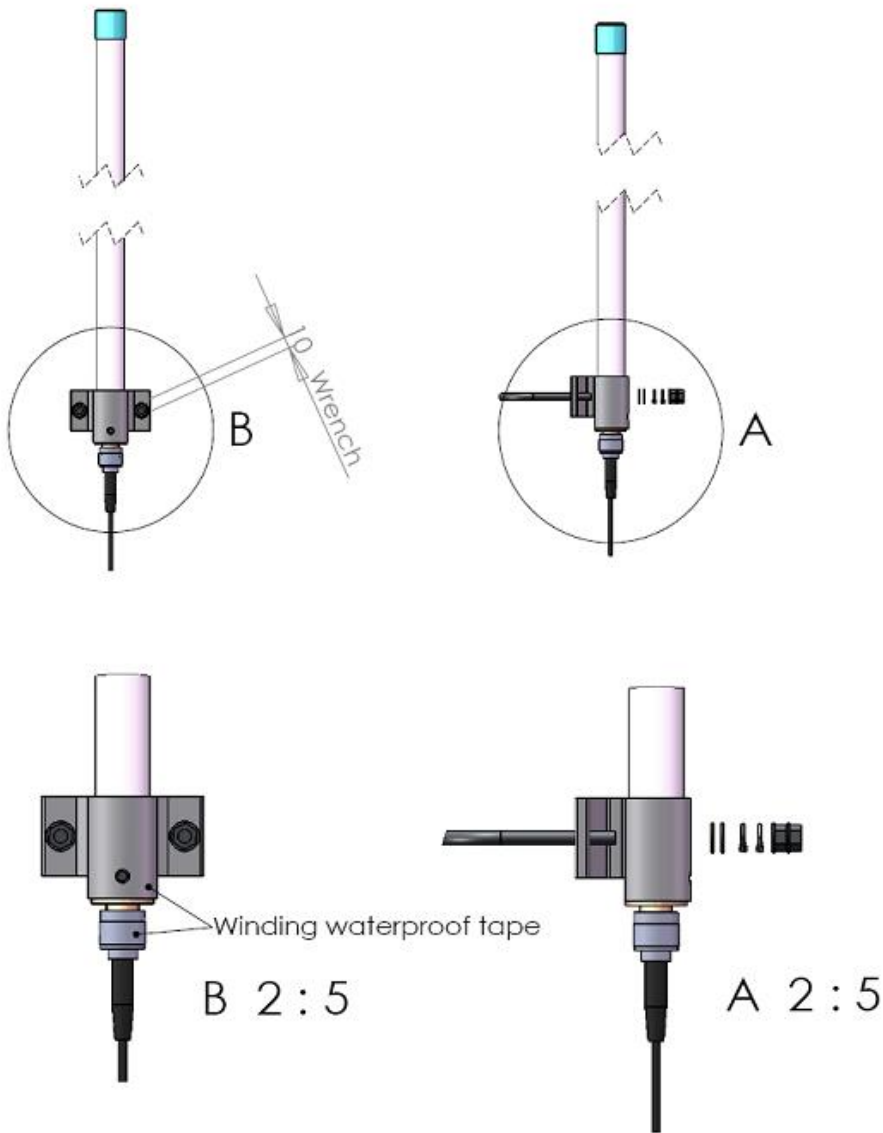




### 7.1 Connector Drawing



## 8. Antenna Installation Guide



# Mouser Electronics

Authorized Distributor

Click to View Pricing, Inventory, Delivery & Lifecycle Information:

Taoglas:

[OMB.242.08F21](#)