

WirelessHART Data Repeater



Data Repeater with monopole antenna



Data Repeater with custom antenna kit

Overview

The Syscor Tracker™ WirelessHART Data Repeater is an intrinsically safe device designed for Zone 0 deployment that integrates seamlessly into any standard WirelessHART network.

The Data Repeater works within any Syscor Tracker™ WirelessHART network to ensure that data from Syscor Tracker™ Field Transmitters are communicated, along with network and battery status, via the WirelessHART standard to a WirelessHART Gateway, which in turn routes the data to industry standard monitoring and control systems as required.

The WirelessHART Data Repeater is typically used as a network bridge where there is significant distance or no direct line of sight between WirelessHART Field Transmitters and the WirelessHART Gateway.

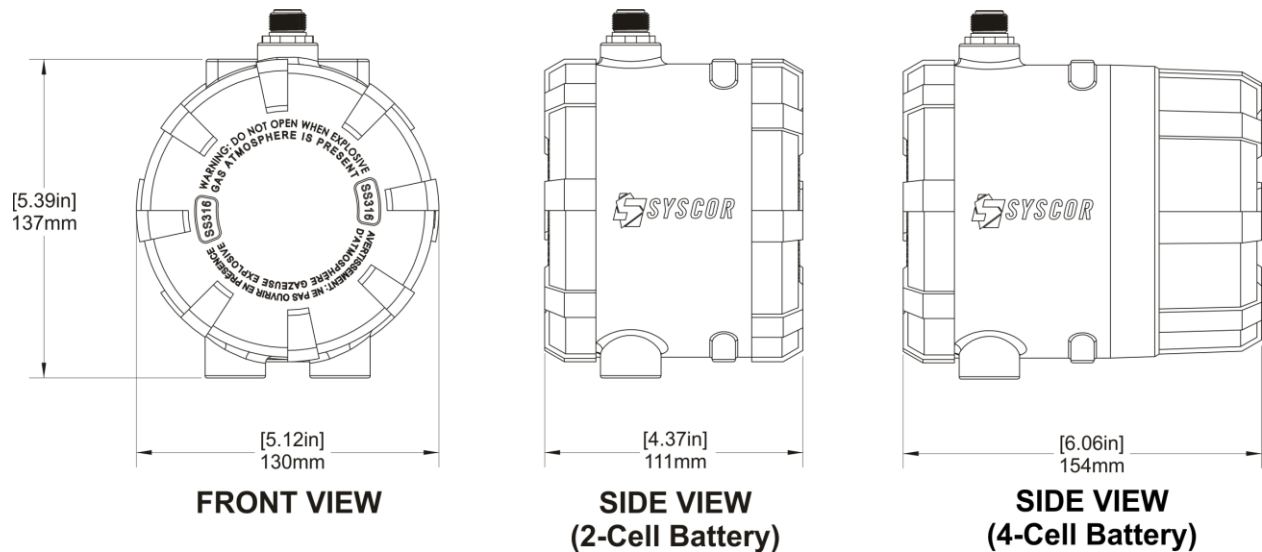
Related Solution Packages

Both the HC-Tracker™ and FR-Tracker™ Solution Packages may use Data Repeaters.

- HC-Tracker - Hydrocarbon leak detection in facilities, underground and in water bodies
- FR-Tracker - Floating roof monitoring applications for aboveground storage tanks

Key Features

- Intrinsically safe design for Zone 0 deployment
- Extensively tested and independently qualified devices
- Stainless steel (SS316) construction
- Standard mounting bracket supports U-bolt, strut channel and direct screw mounting
- Self-contained units are easily installed and removed
- Wireless, battery powered units allow rapid deployment
- Intrinsically safe Syscor designed Li-SOCl₂ battery packs provide up to 10 years of power
- WirelessHART (IEC 62591) mesh technology creates self-forming, self-healing, scalable, secure networks
- WirelessHART technology allows easy addition and removal of units from an existing network
- Integrates easily with industry standard WirelessHART Gateways



Specifications

Functional Specifications	
Power Usage	Typical: < 0.1 W
Wireless Comm.	WirelessHART IEC 62591 2.4 GHz DSSS
Wireless Data Update Rate	User-selectable; 1 second to 1 hour
Display	4 LED indicators for status and diagnostics
Physical Specifications	
Power Supply	Replaceable, intrinsically safe, Li-SOCl ₂ battery pack; up to 10 yr. battery life depending on application and sampling rate 2-cell battery pack: 7.2V 19.0Ah 136.8Wh 4-cell battery pack 7.2V 38.0Ah 273.6Wh Enclosure: ABS plastic
Communication	Two (2) ring terminals for communication with HART field communicators
Enclosure	Housing: Stainless steel SS316 Rating: IP67
Antenna Options 2.4GHz	<ul style="list-style-type: none"> Omni-directional, rigid monopole antenna, N-Type male, straight, 3dBi peak gain Omni-directional, flexible whip monopole antenna, N-Type male, straight, 4dBi peak gain Custom antenna kit for FR-Tracker applications
Antenna Port	N-Type female
Weight	3.75 kg [8.3 lbs.]
Mounting	Standard mounting bracket
Performance Specifications	
Electromagnetic Compatibility	Meets all relevant requirements of EN 62479:2010 and EN-61326-1:2013
Vibration and Acceleration	Ultra-low-power, high performance, three-axis linear accelerometer Dynamically selectable range: $\pm 2g/\pm 4g/\pm 8g/\pm 16g$ 1 Hz to 5 kHz sampling frequency Acceleration and velocity detection
Temp. Sensor	$\pm 1^\circ\text{C}$ [1.8°F] resolution
Operating Temp.	-40°C to 60°C [-40°F to 140°F]

Product Certifications

Note: Certifications apply to the complete system (PCU + sensors)

USA	Intrinsic Safety: [CSA] 4792360 FCC: 2AAZE-000697
Canada	Intrinsic Safety: [CSA] 4792360 IC: 11413A-000697
Product Markings	North America: CL 1 DV 1 GP C&D T4 Europe: 11 1G Ex ia 11B T4

How to Purchase

Visit syscor.com for more information. Contact Syscor to discuss your specific site and application requirements.

Contact Information

Syscor Controls & Automation Inc.
Suite 201 - 60 Bastion Square
Victoria, BC V8W 1J2
Canada
Toll Free Canada/USA: +1-833-361-1681
Tel: +1-250-361-1681
Fax: +1-250-361-1682
Email: contact@syscor.com
Web site: syscor.com